

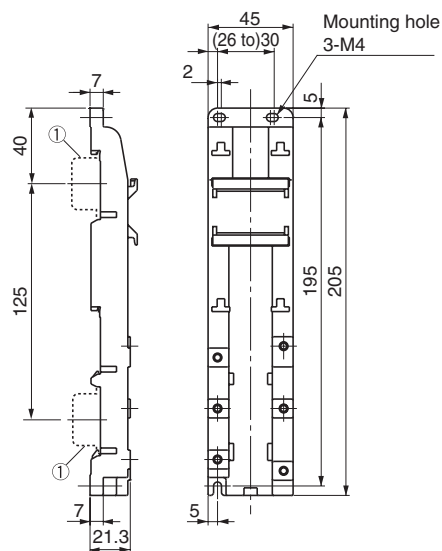
DUO series Combination Starters

Dimensions

■ Dimensions, mm

• Base plates

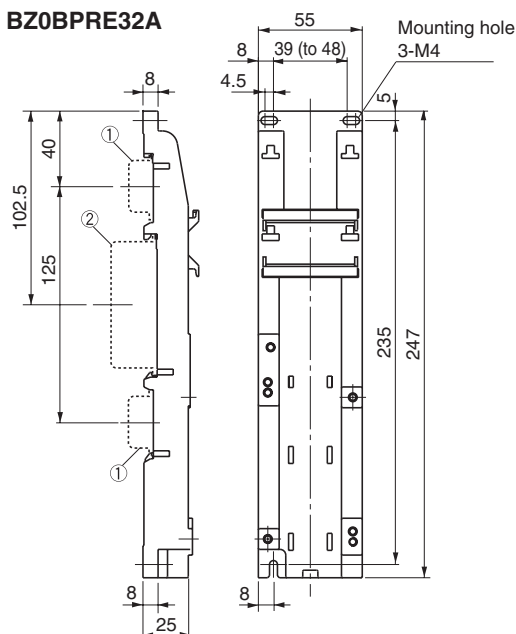
BZ0BPVE22A



① 35mm wide rail (height 15mm) x 2

Base plate type	Applicable type	
	MMS	Contactor
BZ0BPVE22A	BM3RSB	SC-E02, E03, E04, E05
	BM3RHB	E02/G, E03/G, E04/G, E05/G

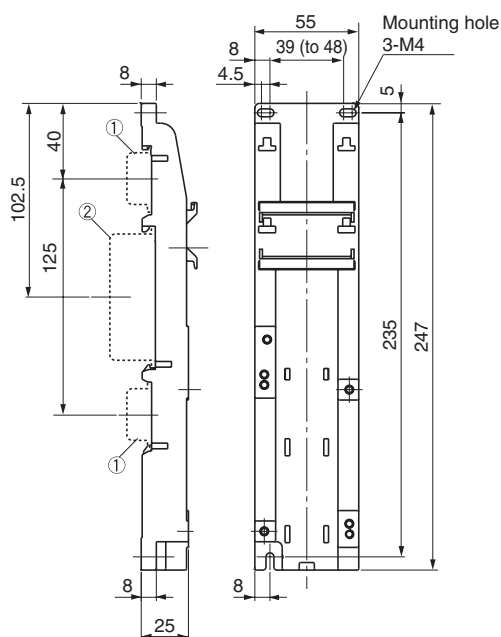
BZ0BPVE32A



① 35mm wide rail (height 15mm) x 2
② 75mm wide rail (height 25mm) x 1

Base plate type	Applicable type	
	MMS	Contactor
BZ0BPVE32A	BM3RSB	SC-E1, E1/G
	BM3RHB	

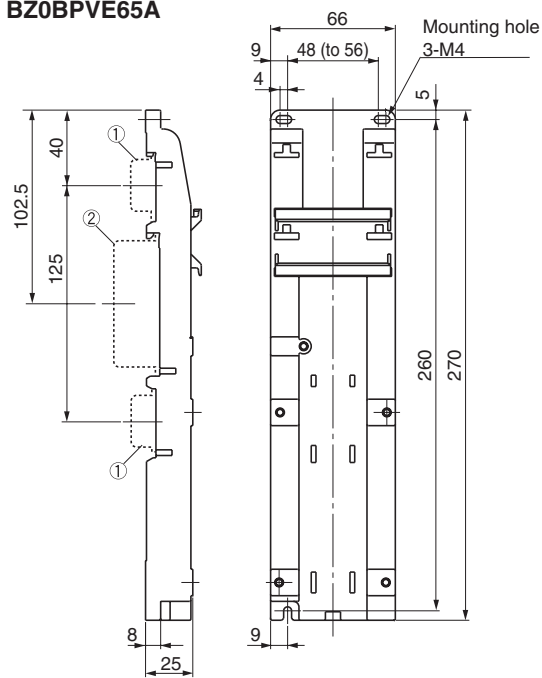
BZ0BPVE51A



① 35mm wide rail (height 15mm) x 2
② 75mm wide rail (height 25mm) x 1

Base plate type	Applicable type	
	MMS	Contactor
BZ0BPVE51A	BM3VSB	SC-E1, E2, E2S,
	BM3VHB	E1/G, E2/G, E2S/G

BZ0BPVE65A



① 35mm wide rail (height 15mm) x 2
② 75mm wide rail (height 25mm) x 1

Base plate type	Applicable type	
	MMS	Contactor
BZ0BPVE65A	BM3VSB	SC-E3, E3/G
	BM3VHB	

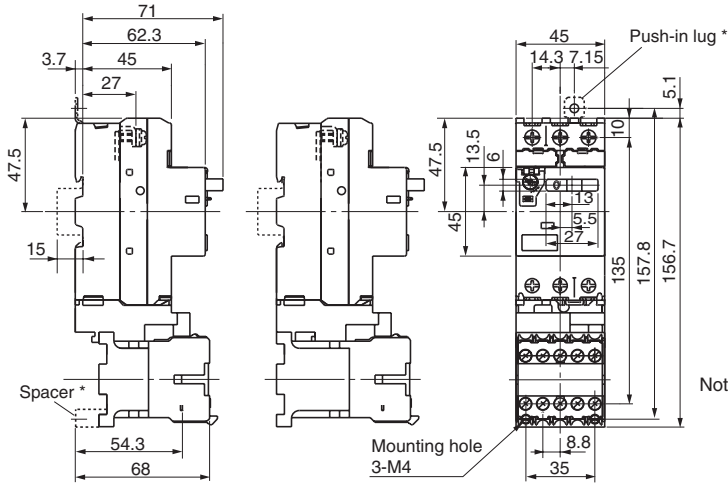
■ Dimensions, mm

• Combination

BM3RSB + SC-M01, M02

+ SC-M01/G, M01/G1, M01/G2

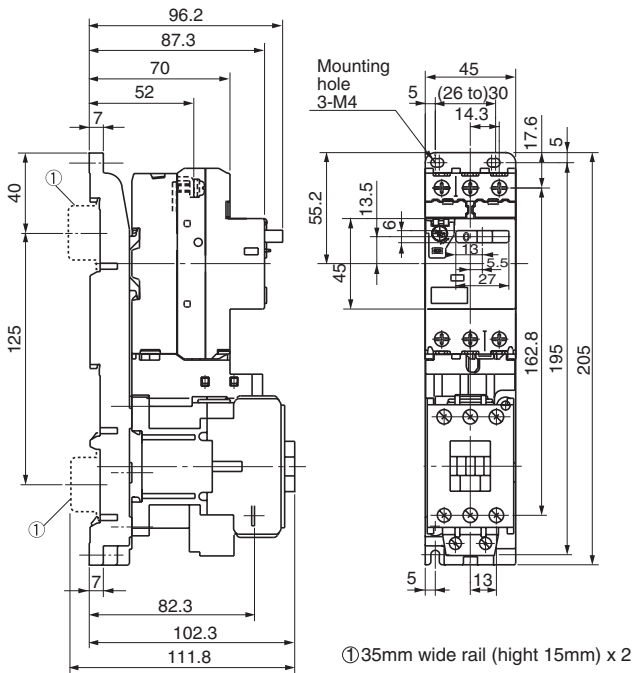
+ SC-M02/G, M02/G1, M02/G2



Note: * Dimensions for mounting of an optional push-in lug/BZ0SET and 2-spacer supplied with link module/BZ0LRC09AA, when screw-mounting BM3RSB with SC-M01 or SC-M02.

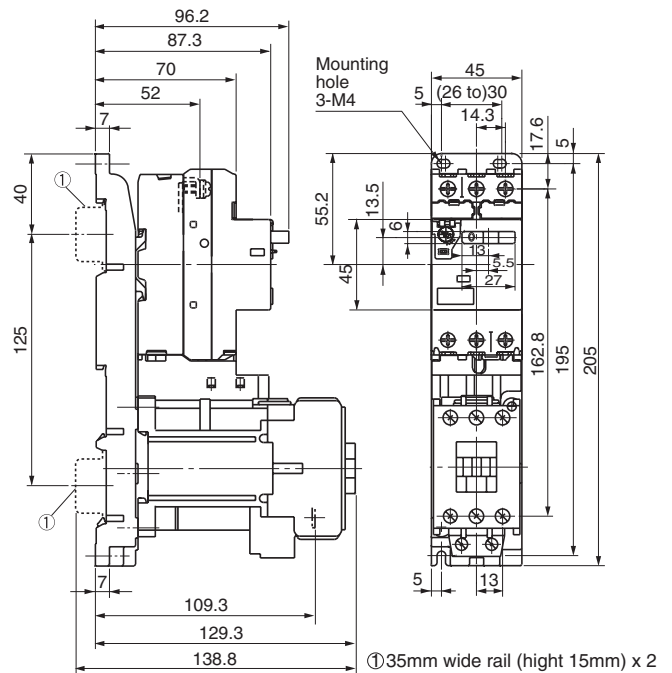
MMS	Contactors	Link module	Mass(g)
BM3RSB	SC-M01, M02	BZ0LRC09AA	540
	SC-M01/G, M01/G1, M01/G2	BZ0LRC09AA	600
	SC-M02/G, M02/G1, M02/G2		

BM3RSB + SC-E02 to E05



MMS	Contactors	Link module	Base plate	Mass (g)
BM3RSB	SC-E02, E03, E04, E05	BZ0LRE22AA	BZ0BPPE22A	820

BM3RSB + SC-E02/G to E05/G

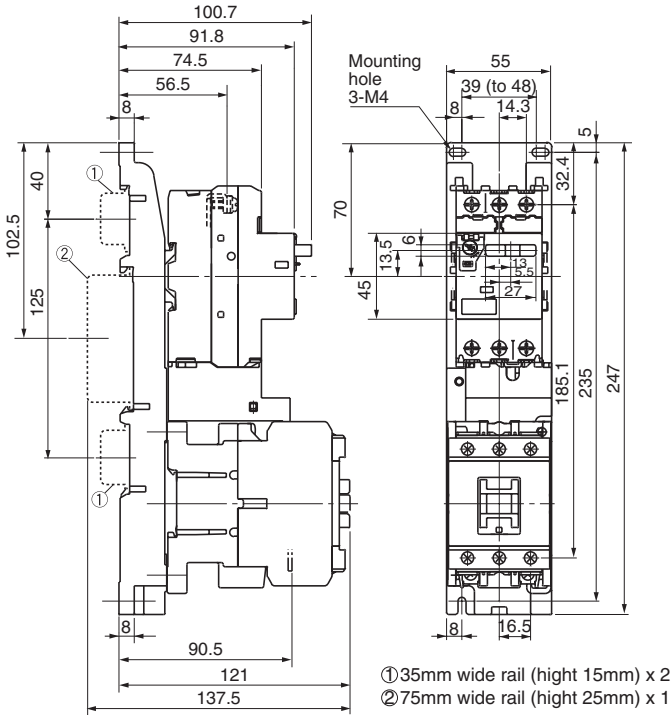


MMS	Contactors	Link module	Base plate	Mass (g)
BM3RSB	SC-E02/G, E03/G, E04/G, E05/G	BZ0LRE22GA	BZ0BPPE22A	1,065

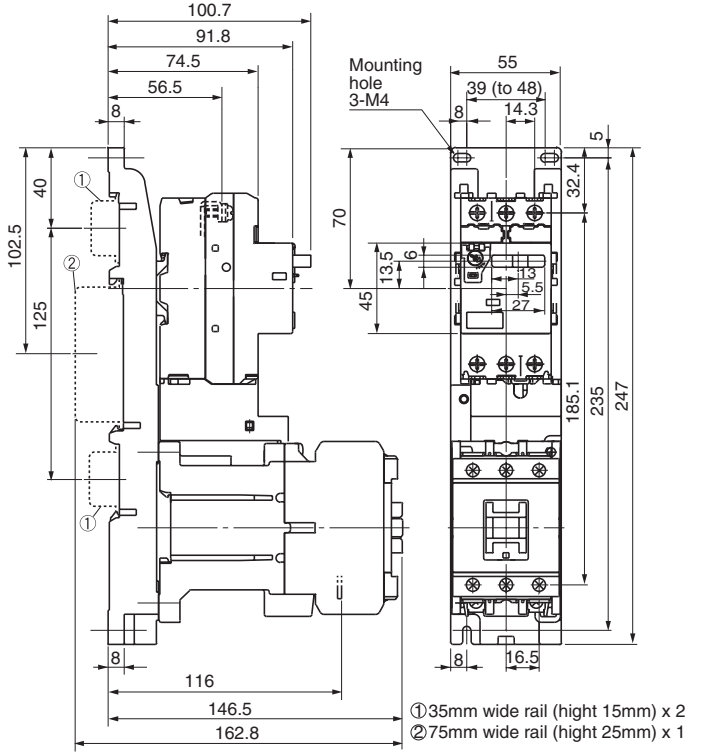
DUO series Combination Starters

Dimensions

■ Dimensions, mm
 • Combination
BM3RSB + SC-E1



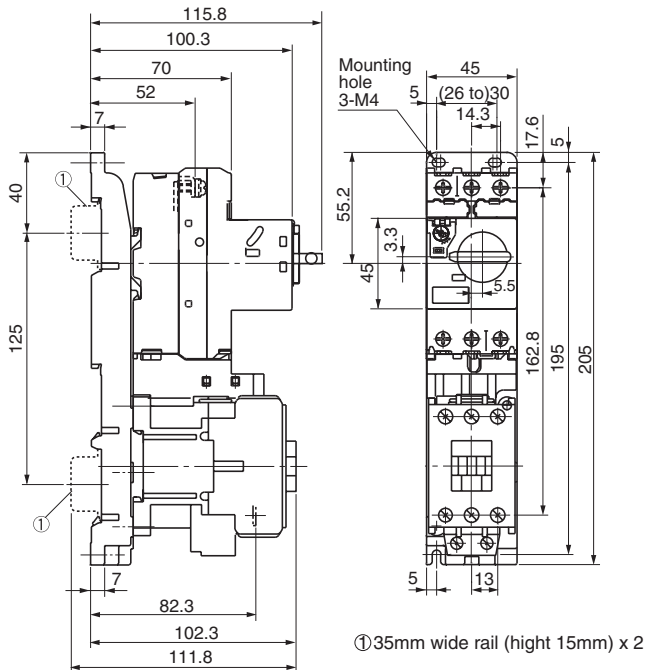
BM3RSB + SC-E1/G



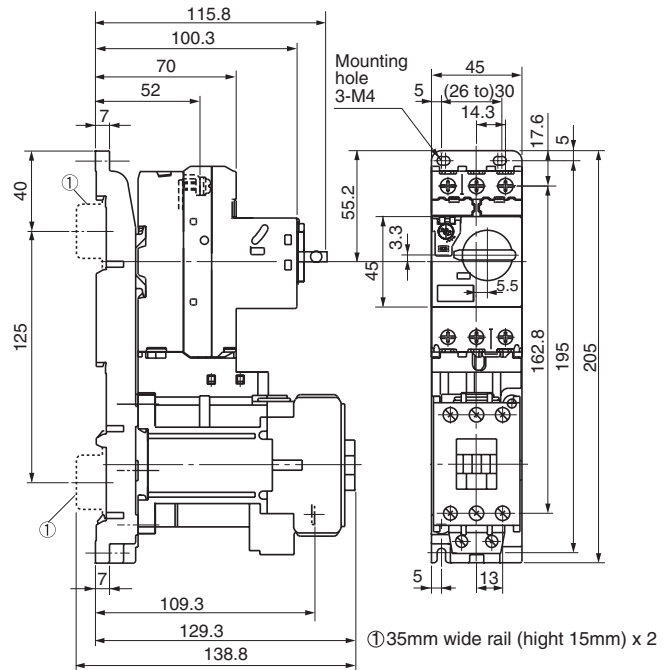
MMS	Contactors	Link module	Base plate	Mass (g)
BM3RSB	SC-E1	BZ0LRE32AA	BZ0BPPE32A	1,135

MMS	Contactors	Link module	Base plate	Mass (g)
BM3RSB	SC-E1/G	BZ0LRE32GA	BZ0BPPE32A	1,360

BM3RHB + SC-E02 to E05



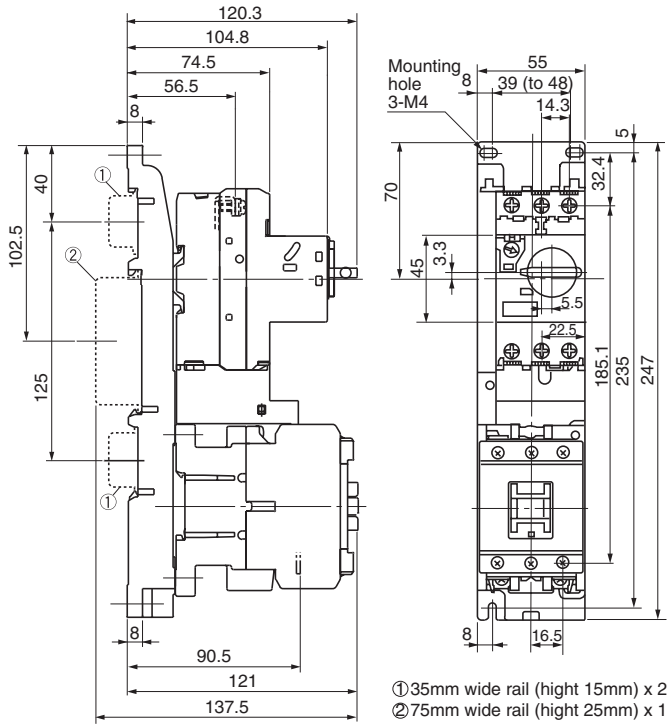
BM3RHB + SC-E02/G to E05/G



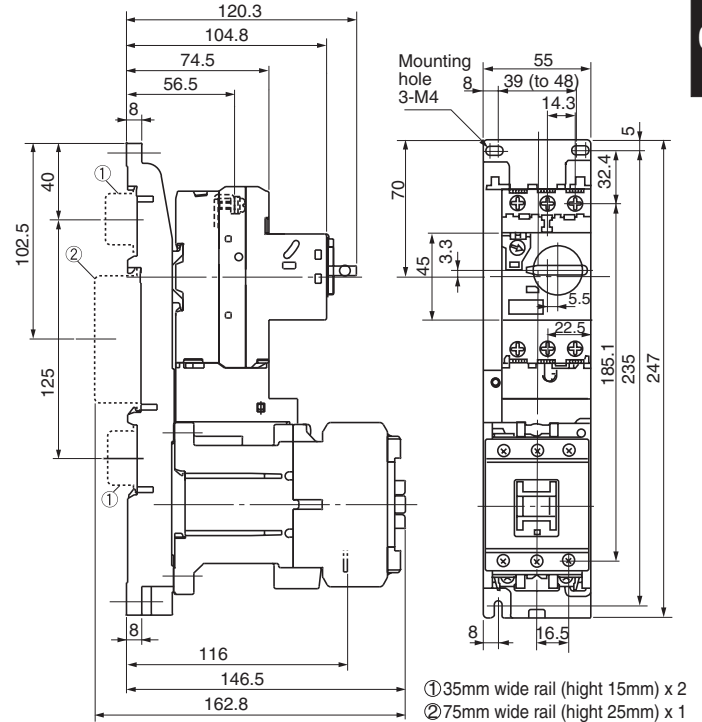
MMS	Contactors	Link module	Base plate	Mass (g)
BM3RHB	SC-E02, E03, E04, E05	BZ0LRE22AA	BZ0BPPE22A	840

MMS	Contactors	Link module	Base plate	Mass (g)
BM3RHB	SC-E02/G, E03/G, E04/G, E05/G	BZ0LRE22GA	BZ0BPPE22A	1,085

■ Dimensions, mm
• Combination
BM3RHB + SC-E1



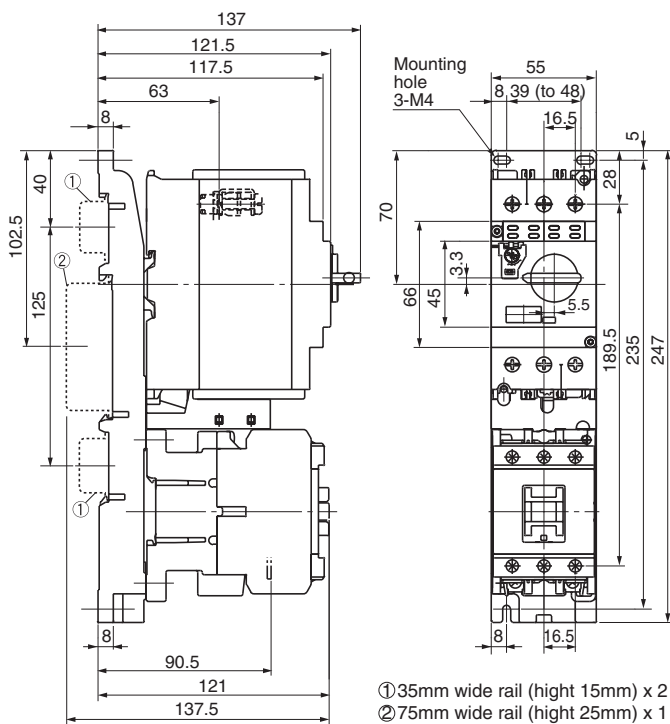
BM3RHB + SC-E1/G



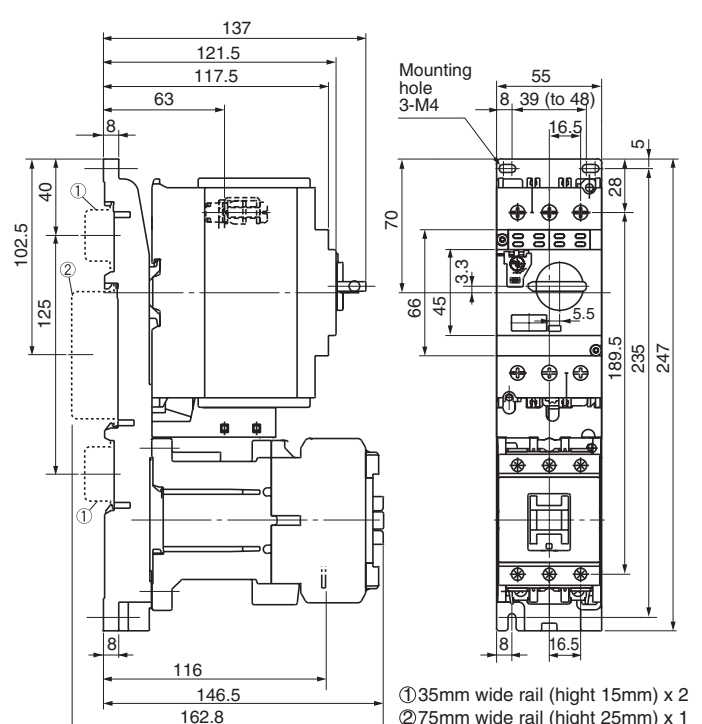
MMS	Contactors	Link module	Base plate	Mass (g)
BM3RHB	SC-E1	BZ0LRE32AA	BZ0BPPE32A	1,155

MMS	Contactors	Link module	Base plate	Mass (g)
BM3RHB	SC-E1/G	BZ0LRE32GA	BZ0BPPE32A	1,380

BM3V□B + SC-E1, E2, E2S



BM3V□B + SC-E1/G, E2/G, E2S/G



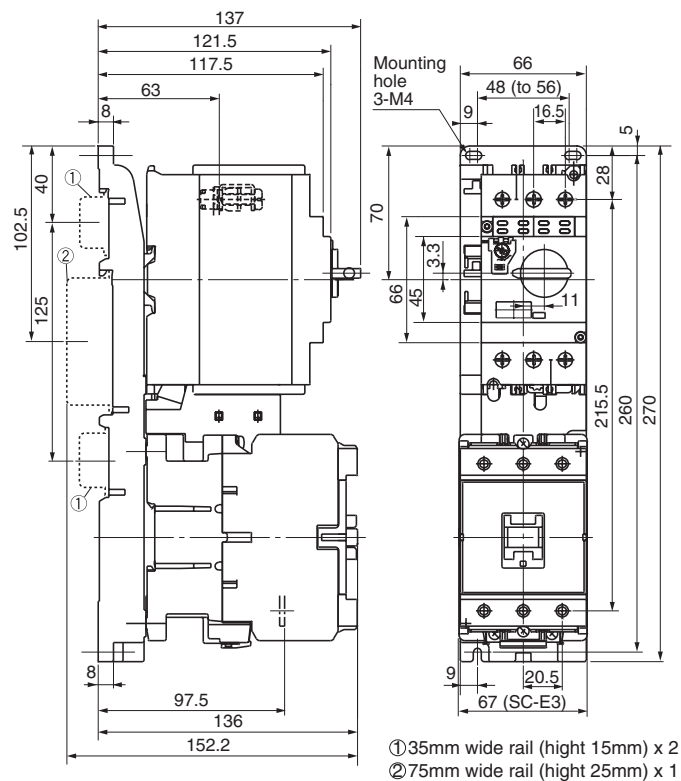
MMS	Contactors	Link module	Base plate	Mass (g)
BM3VSB	SC-E1, E2, E2S	BZ0LVE51AA	BZ0BPVE51A	1,580
BM3VHB				

MMS	Contactors	Link module	Base plate	Mass (g)
BM3VSB	SC-E1/G, E2/G, E2S/G	BZ0LVE51GA	BZ0BPVE51A	1,810
BM3VHB				

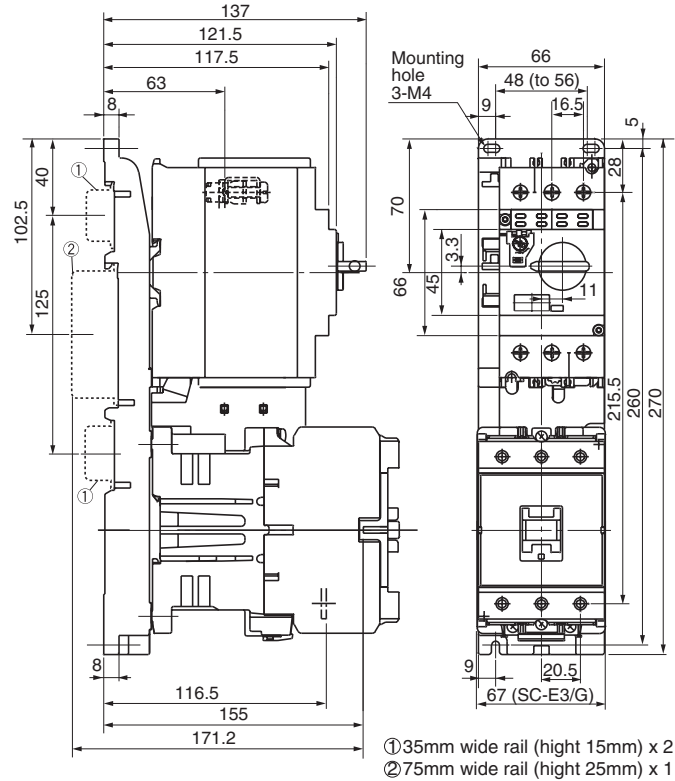
DUO series Combination Starters

Dimensions

■ Dimensions, mm
 • Combination
BM3V□B + SC-E3



BM3V□B + SC-E3/G



MMS	Contactors	Link module	Base plate	Mass (g)
BM3VSB	SC-E3	BZ0LVE65AA	BZ0BPVE65A	2,080
BM3VHB				

MMS	Contactors	Link module	Base plate	Mass (g)
BM3VSB	SC-E3/G	BZ0LVE65GA	BZ0BPVE65A	2,400
BM3VHB				