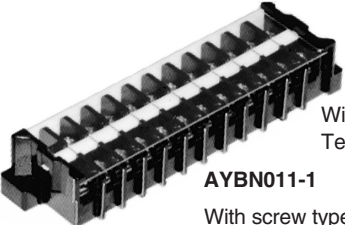
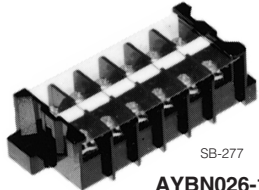
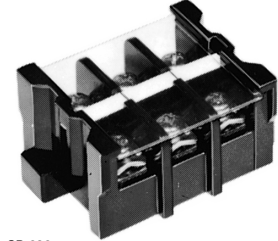
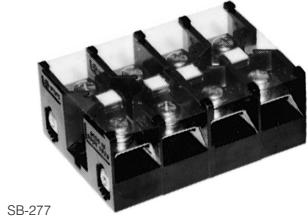
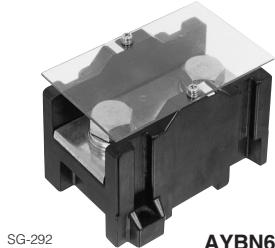


General purpose terminal blocks 600 Volts

Typical illustration and description	Amps	No. of poles	With spring washer Type	Ordering code	With turtle-shaped washer Type	Ordering code
 <p>Wire size: Max. 2mm² Terminal screw: M3.5</p> <p>AYBN011-1</p> <p>With screw type connectors, marking strip and cover</p> <p>SB-277</p>	15	3 4 6	AYBN013-5 AYBN014-5 AYBN016-5	LT1N-0203B LT1N-0204B LT1N-0206B	AYBN013-1 AYBN014-1 AYBN016-1	LT1N-0203A LT1N-0204A LT1N-0206A
 <p>Wire size: Max. 5.5mm² Terminal screw: M4</p> <p>AYBN026-1</p> <p>With screw type connectors, marking strip and cover</p> <p>SB-277</p>	25	3 4 6	AYBN023-5 AYBN024-5 AYBN026-5	LT1N-0503B LT1N-0504B LT1N-0506B	AYBN023-1 AYBN024-1 AYBN026-1	LT1N-0503A LT1N-0504A LT1N-0506A
 <p>Wire size: Max. 14mm² Terminal screw: M5</p> <p>Wire size: Max. 22mm² Terminal screw: M6</p> <p>AYBN043-1</p> <p>With screw type connectors, marking strip and cover</p> <p>SB-232</p>	40	3 4	AYBN043-5 AYBN044-5	LT1N-1403B LT1N-1404B	AYBN043-1 AYBN044-1	LT1N-1403A LT1N-1404A
 <p>Wire size: Max. 60mm² Terminal screw: M8</p> <p>Wire size: Max. 100mm² Terminal screw: M10</p> <p>Wire size: Max. 200mm² Terminal screw: M12</p> <p>AYBN204-5</p> <p>With screw type connectors, marking strip and cover</p> <p>SB-277</p>	150	3 4	–	–	AYBN103-5 *1 AYBN104-5 *1	LT1N-6003B LT1N-6004B
	200	3 4	–	–	AYBN203-5 *2 AYBN204-5 *2	LT1N-1X03B LT1N-1X04B
	400	3 4	–	–	AYBN403-5 *2 AYBN404-5 *2	LT1N-2X03B LT1N-2X04B
 <p>Wire size: Max. 325mm² Terminal screw: M16</p> <p>AYBN601-5</p> <p>SG-292</p>	600	1	–	–	AYBN601-5 *2	LT1N-3X01B

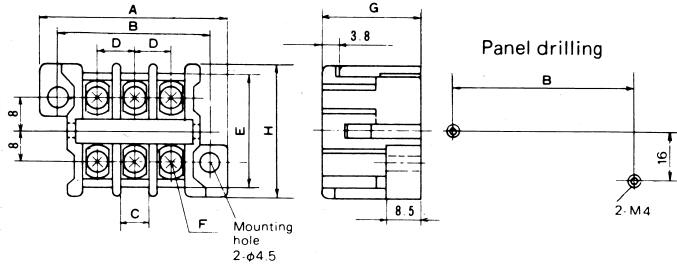
Notes: *1 Cross recessed pan head screw type.
*2 Hexagonal bolt

Terminal Blocks

Type AYBN

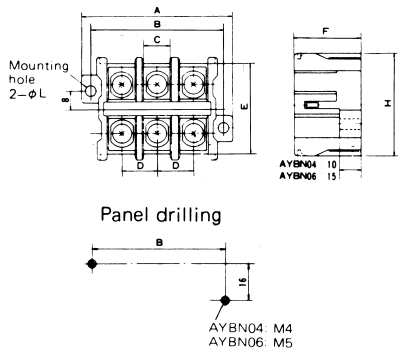
■ Dimensions, mm

15A, 25A Terminal blocks



Type	No. of poles	A	B	C	D	E	F	G	H	Mass (g)
AYBN013-1, -5	3	45	37	6.9	9	28	M3.5	23.8	32	20
AYBN014-1, -5	4	54	46	6.9	9	28	M3.5	23.8	32	20
AYBN016-1, -5	6	72	64	6.9	9	28	M3.5	23.8	32	40
AYBN018-1, -5	8	90	82	6.9	9	28	M3.5	23.8	32	60
AYBN010-1, -5	10	108	100	6.9	9	28	M3.5	23.8	32	60
AYBN011-1, -5	12	126	118	6.9	9	28	M3.5	23.8	32	80
AYBN023-1, -5	3	52.5	44.5	9.9	11.5	30	M4	26.8	36	40
AYBN024-1, -5	4	64	56	9.9	11.5	30	M4	26.8	36	40
AYBN026-1, -5	6	87	79	9.9	11.5	30	M4	26.8	36	80
AYBN028-1, -5	8	110	102	9.9	11.5	30	M4	26.8	36	100
AYBN020-1, -5	10	133	125	9.9	11.5	30	M4	26.8	36	120
AYBN021-1, -5	12	156	148	9.9	11.5	30	M4	26.8	36	140

40A, 60A Terminal blocks



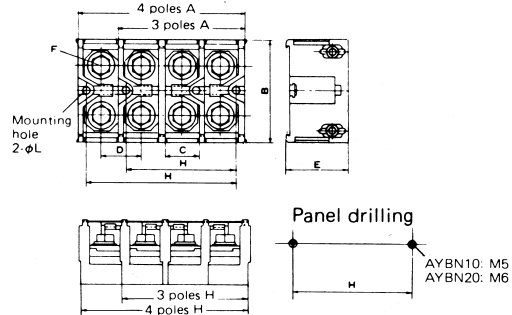
Type	No. of poles	A	B	C	D	E	F	H	L	Mass (g)
AYBN043-1, -5	3	67	59	12.4	16	40	31.8	45	φ4.5	100
AYBN044-1, -5	4	83	75	12.4	16	40	31.8	45	φ4.5	100
AYBN063-1, -5	3	90	78	16.9	20	52	39	60	φ6	160
AYBN064-1, -5	4	113	101	16.9	20	52	39	60	φ6	220

■ Ordering information

Specify the following:

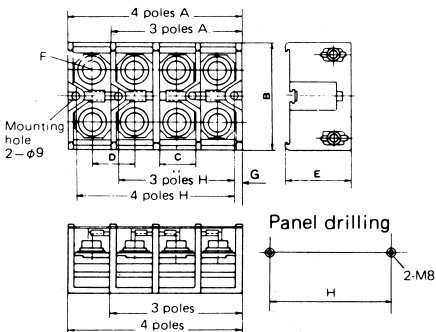
1. Ordering code or type number

150A, 200A Terminal blocks



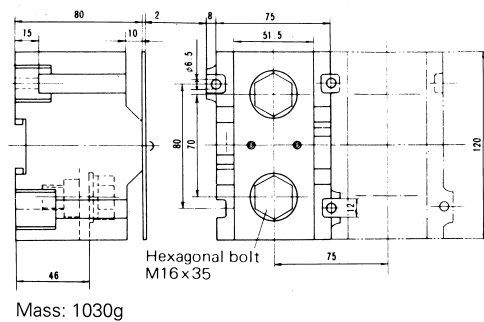
Type	No. of poles	A	B	C	D	E	F	H	L	Mass (g)
AYBN103-5	3	85	79	23	27	51	M8	72	φ6	380
AYBN104-5	4	112	79	23	27	51	M8	99	φ6	500
AYBN203-5	3	110	90	29.7	35	63	M10	96	φ7	680
AYBN204-5	4	145	90	29.7	35	63	M10	131	φ7	900

400A Terminal blocks



Type	No. of poles	A	B	C	D	E	F	G	H	Mass (g)
AYBN403-5	3	175	120	45	55	82	M12	9.5	156	1600
AYBN404-5	4	230	120	45	55	82	M12	9.5	211	2100

600A Terminal blocks



■ Technical data

Insulation resistance: Over 100M at 500V DC

Dielectric strength: 2500V AC rms. 1 minute

Ambient temperature: -20° to +40°C