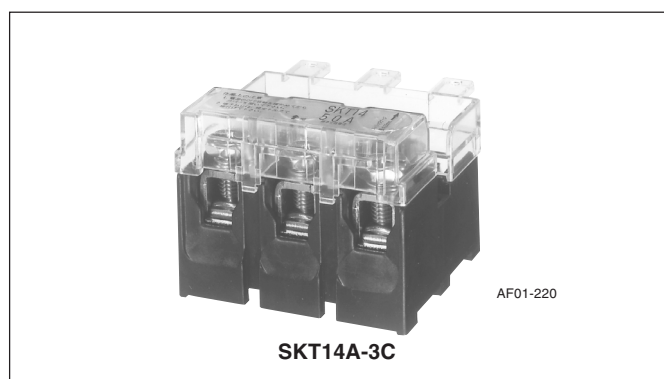


With transparent cover power terminal blocks

600 Volts 50 to 200 Amps
Wire size: 2 to 100 mm²

- Transparent terminal cover allows the wiring configuration to be checked externally.
- Slotted hexagon head bolts that can be tightened with screwdrivers or box wrenches are used for the terminals.
- The line side and load side are provided with hinged terminal covers to ensure safety and allow easier maintenance and inspections.
- cUL approved, file No. E45457
SKT14A-3C to SKT100A-3C only.



■ Types and ratings

• Terminal blocks

Pole	Rated insulation voltage (V AC)	Rated continuous current (A)	Wire size (mm ²)	Type	Mass (g)
3	600	50	2 to 14	SKT14A-3C	300
		100	2 to 38	SKT38A-3C	310
		150	14 to 60	SKT60A-3C	450
		200	30 to 100	SKT100A-3C	730
3 + 1 (Earth terminal)	600	50	2 to 14	SKT14A-3CG	440
		100	2 to 38	SKT38A-3CG	450
		150	14 to 60	SKT60A-3CG	690
		200	30 to 100	SKT100A-3CG	1120

• Connectors

Rated voltage (V AC)	Rated continuous current (A)	Wire size (mm ²)	Type	Mass (g)
600	50	2 to 14	SKT14-S	52
	100	2 to 38	SKT38-S	55
	150	14 to 60	SKT60-S	80
	200	30 to 100	SKT100-S	135
	400	80 to 200	SKT200-S	
	400	80 to 200	SKT200-SD	

■ Specifications

Insulation resistance	100MΩ or more (500V DC megger)
Withstand voltage	2500V AC 1minute
Ambient temperature	-20 to +55°C
Humidity	85%RH or less
Flammability	UL94V-2 (Cover)
Temperature rise	45K or less (JIS C 2811)

■ Ordering information

Specify the following:

1. Type number

■ Tightening torque

Type	Recommended tightening torque (N•m)		Cable pull-out min. force (N)	
	Line side	Load side	Min. cable	Max. cable
SKT14A-3C	4.5–5.0	11.5–15.5	222	400
SKT14A-3CG	(M6)	(14mm ² , M8)	(2mm ²)	(14mm ²)
SKT38A-3C	4.5–5.0	11.5–15.5	222	445
SKT38A-3CG	(M6)	(38mm ² , M8)	(2mm ²)	(38mm ²)
SKT60A-3C	9–10	11.5–15.5	311	623
SKT60A-3CG	(M8)	(60mm ² , M8)	(14mm ²)	(60mm ²)
SKT100A-3C	15–20	23–31	311	801
SKT100A-3CG	(M10)	(100mm ² , M10)	(30mm ²)	(100mm ²)

