

Testing terminals for VT, CT circuit – For panel mounting

250 Volts AC or DC, 20 Amps
Wire size: Maximum 3.5mm²

These terminals are used in VT and CT secondary circuits.
These are used to test protective relays or meters or for carrying out calibration.

Ordering information

Specify the following:

1. Ordering code or type number
2. Quantity: One pack (10 pcs) is minimum.

Technical data

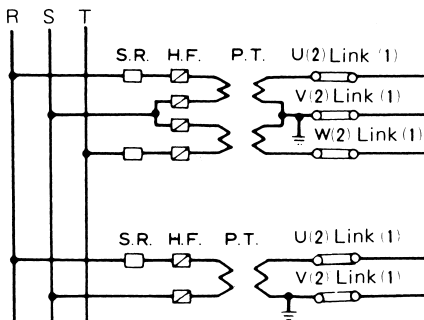
Insulation resistance: Over 100MΩ at 500V DC

Dielectric strength: 2000V AC rms. 1 minute

Ambient temperature: -20° to +40°C

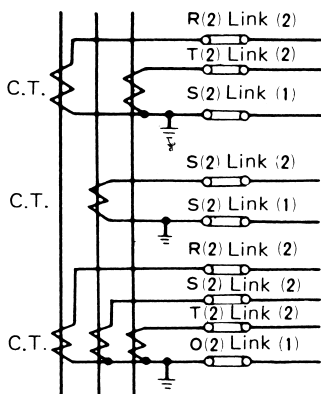
Applications

VT circuit



Note: S.R.: Series resistor
H.F.: H.V. fuse
P.T.: Potential transformer
(): Indicates the quantity of terminals or links used at this circuit.

CT circuit



Note: C.T.: Current transformer
(): Indicates the quantity of terminals or links used at this circuit.

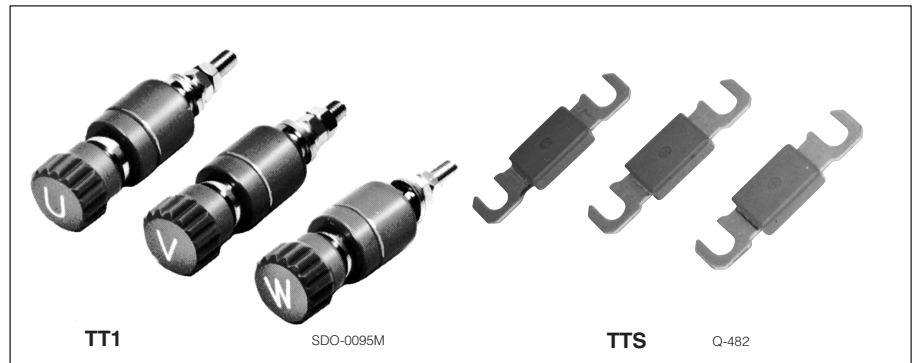


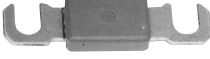

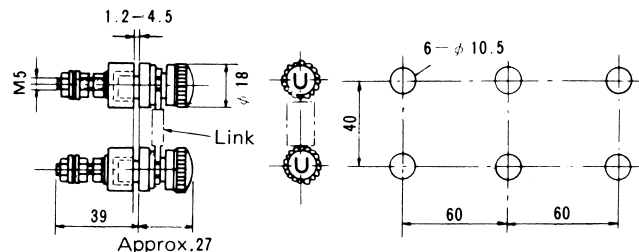


Illustration	Description	Etched letters (Standard)	Type	Ordering code
	VT circuit Black	U V W O –	TT1-B-U TT1-B-V TT1-B-W TT1-B-O TT1-B	LT5P-B2 LT5P-B3 LT5P-B4 LT5P-B1 LT5P-B0
	CT circuit Black	R S T O –	TT2-B-R TT2-B-S TT2-B-T TT2-B-O TT2-B	LT5W-B5 LT5W-B6 LT5W-B7 LT5W-B1 LT5W-B0
	Link, black		TTS-B	LT95PB
	Insulating bushing *		TTB-B	LT95BB

Note: * This is attached to testing terminal.

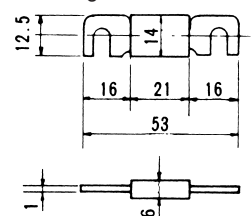
Dimensions, mm

TT1 – for VT circuits Mass: 31g

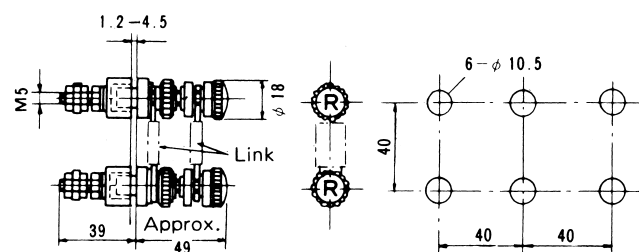


TTS – Link

Mass: 10g



TT2 – for CT circuits Mass: 50g



TTB – Insulating bushing

Mass: 6g

