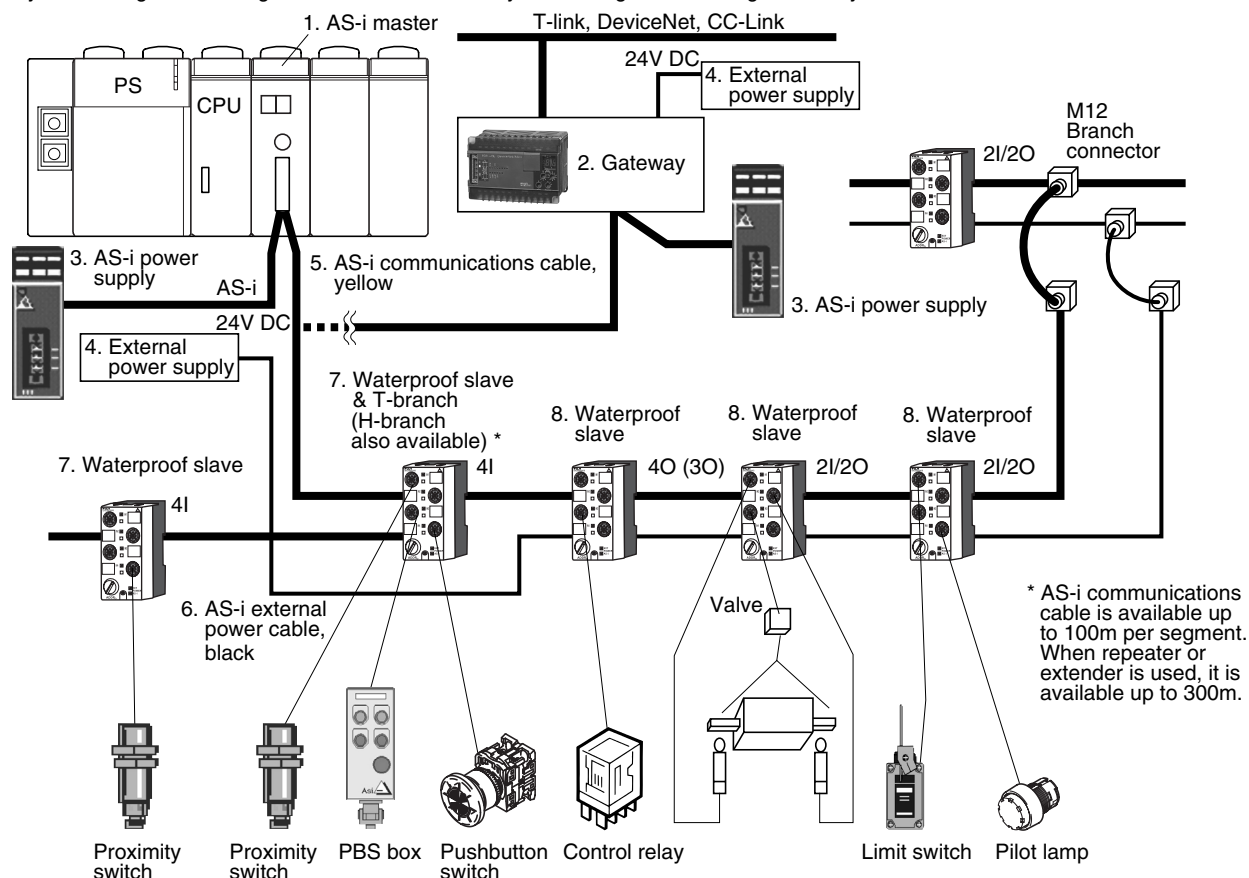


System configuration

System configuration using waterproof slaves

System configuration using AS-i master

System configuration through Gateway



Devices required for system configuration

Device	Device No.	When using AS-i master		When using Gateway		See page(s)	Remarks
		Input only	Input/ Output	Input only	Input/ Output		
AS-i master	1	○	○	—	—	19-23	No. of connectable slaves: Up to 31
Gateway	2	—	—	○	○	24-27	No. of connectable slaves: Up to 31
AS-i power supply	3	○	○	○	○	66-67	One unit is required per one segment.
External power supply, 24V DC	4	—	○	○	○	—	—
AS-i communications cable, yellow	5	○	○	○	○	18	Up to 100m per segment
AS-i external power cable, black	6	—	○	—	○	18	—
Slave (4I)	7	○	○	○	○	28-63	—
Slave (2I/2O, 3O, 4O)	8	—	○	—	○	28-63	—
Addressing unit	—	○	○	○	○	70-72	Addressing cable is required.
Others						73	To the unused sockets of waterproof slaves, fit waterproof caps.

Protection of AS-i cable

- As the insulation voltage of AS-i cable sheath is 1500V, mechanical and electrical protective measures such as conduit pipes or ducts are not necessary, unless mechanical damage is anticipated to the cable.
- Shielding and grounding to the cable are not required. No terminating resistors are required.

Measures against noise

- To prevent inductive noise, AS-i cables and sensor cables should be wired as far as from high-voltage cables and power lines. 300mm or above is recommended. Attach a surge suppressor to a device that could generate noise.